

# ZGI704V The Most Durable CCTV Camera

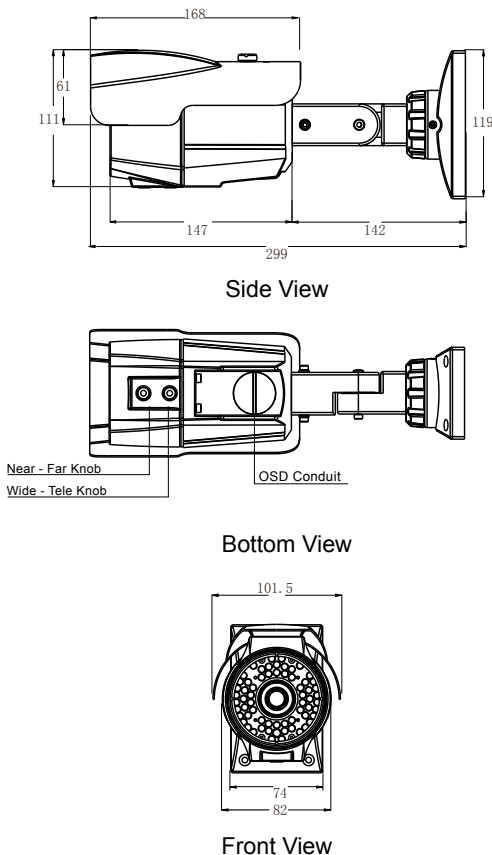
## 45M Weatherproof Color IR Camera

- 960H EX-view HAD CCD II with Effio-E DSP
- Stylish aluminum alloy housing for outdoor
- Wide input voltage (DC 9-20V)
- Double glass window design
- User - friendly line Control OSD menu
- IR Vari-focal Auto DC Iris lens 9.2 - 22.0mm
- 60 IR LEDs 850nm 30deg. up to 45 M range
- Constant current circuit for long life IR LED
- IP66 Weatherproof with outstanding durability
- Internal cable wiring with 3 axis bracket



### Dimensions (unit : mm)

### Specification



Model	ZGI704V
Signal System	PAL
Image Sensor	1/3" 960H Sony Ex-view HAD CCD II
Scanning System	2:1 Interlaced
Scanning Frequency	H: 15.625 KHz, V: 50 Hz
Total Pixels	1020(H) x 596(V)
Effective Pixels	976(H) x 582(V)
Resolution	700 TV Lines
Electronic Auto Shutter	1/50 - 1/100,000 sec automatic
S/N ratio	More than 50 dB (AGC Off)
Sensitivity	0 Lux (IR LED On)
Gamma correction	r = 0.45
Synchronize System	Internal / External Sync
Video Output	1 Vp-p 75 ohm Composite
OSD Control	Joystick (Line Control)
Multiple Language OSD	English, French, German, Spanish, Portuguese, Chinese, Russian, Japanese
Gain control	Auto Gain, Gain Off, Gain Low, Gain Medium, Gain High Selectable
Back Light Compensation	Off, BLC, HLC
White balance	ATW, Selectable, Auto.1800°K - 10500°K
ATR (D-WDR)	Off, Indoor WDR, Outdoor WDR Selectable
Noise Reduction	2DNR, range 0-100 adjustable
Day / Night	Digital Day / Night
Motion Detection	4 Zones
Privacy Masking	4 Zones
Digital Effects	Mirror / Brightness / Contrast / Sharpness / Hue / Gain
Lens	f9.2-22.0mm Vari-focal Auto DC Iris at F1.4
IR LED	850nm(30°) x 60 units, up to 45M
IR LED Operation	On (1Lux) / Off (1Lux)
IP Rating	IP66 Weatherproof
Power Supply	DC12V (Tolerance DC9~20V)
Operating current	550mA w/regulated power in
Operating Temperature	14°F ~ 122°F (-10°C ~ +50°C)
Storage Temperature	-4°F ~ 140°F (-20°C ~ +60°C)
Dimension(mm)	299(L) x 101.5(W) x 111(H)
Weight(Approx.g)	950g

FC RoHS CE

Price **9,450.-**